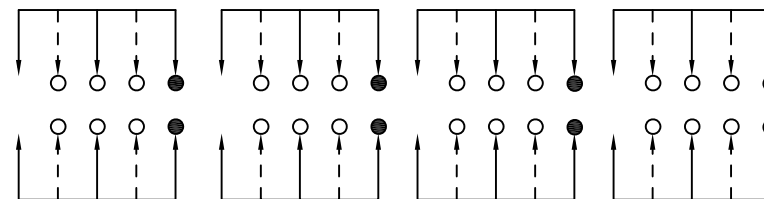
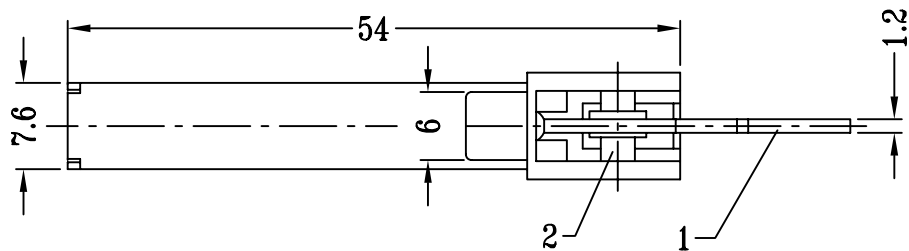
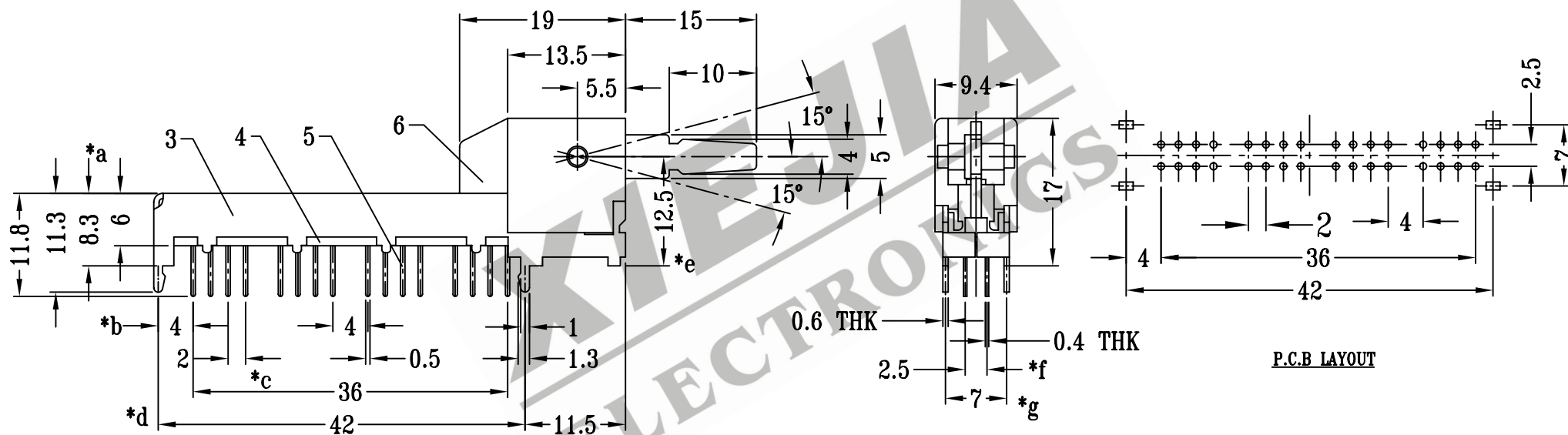


CAD FILE:



SCHEMATIC (NON-SHORTING)



P.C.B LAYOUT

10	NO.543 CONTACT(CLIP)	PBS	8	Ag CLAD
9	27# SPRING	STEEL WIRE	1	TEMPER
8	3.0 STEEL BALL	STEEL	2	NATURAL
7	SLIDER	POM	1	NATURAL
6	HOUSING	PC	1	BLACK
5	TERMINAL	BRASS STRIP	32	Ag PLATED OVER Ni PLATED
4	TERMINAL BASE	PHENOLIC RESIN	1	NATURAL
3	FRAME	STEEL STRIP	1	Ni PLATED
2	RIVET	BRASS	1	NATURAL
1	KNOB	POM	1	BLACK
NO.	PART NAME	MATERIAL	Q'TY	FINISHING

TOLERANCE
UNLESS SPECIFIED
WITHIN: 1.5±0.1mm
OVER : 1.5±0.2mm

SHENZHEN XIEJIA ELECTRONICS CO.,LTD.

注:带"*"表示关键尺寸(7个)

TITLE : TOGGLE SWITCH		UNIT : MM	DRWG NO.: XJ-DR-LS83D01-00	
MODEL: LS-83D01		SCALE: 3 : 2	CHK'D	ZHOUYU 2001-9-20
ALL MATERIALS MUST BE COMPLIANT TO ROHS		APPD.	KANGXINAN	2001-9-20